

Modular Terminal Block

KTB2, KTB3 Series



Part Number Description

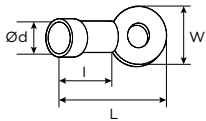
KTB ① - ②

① Description	2 : Modular Terminal Block & Accessory		3 : Two Level Modular terminal block (15A only)			
② Rated Current	010 : 10A	015 : 15A	025 : 25A	035 : 35A		
	060 : 60A	100 : 100A	200 : 200A	300 : 300A		
Separator	A10 : 010	A15 A25 : 015,025		A35 : 035		
	A60 : 060	A100 : 100	A200 : 200	A300 : 300		
Accessory	Cover	CVA : 010	CVB : 015 - 035	CVC : 060 - 100	CVD : 200	CVE:300
	Name Plate	PA : KTB2-010	PB : KTB2-015 - 300			
	Stopper	STA : 15mm	STB : 35mm	STC : 35mm (Plastic)		
		CHA : 10A 15mm 1m		CHA-2M : 10A 15mm 2m		
	Din rail	CHB : 15A Minimum Ø 35mm 1m		CHB-2M : 15A Minimum Ø 35mm 2m		
	CHC : 15A 35mm 1M, cutting type					

General Specification

Description	KTB2-010	KTB2-015	KTB2-025	KTB2-035	KTB2-060	KTB2-100	KTB2-200	KTB2-300	KTB3-015
Rated Current	10A	15A	25A	35A	60A	100A	200A	300A	15A
Rated Voltage	Max. 600VAC								
Insulation Resistance	Min. 100MΩ								
Dielectric Strength	2,500VAC per 1 minute.								

Terminal



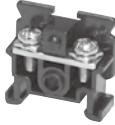
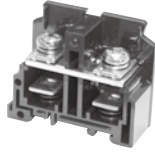
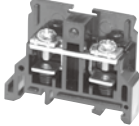
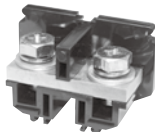
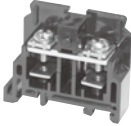
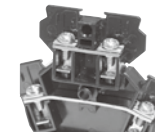
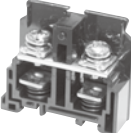
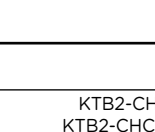

Description	KTB2-010	KTB2-015	KTB2-025	KTB2-035	KTB2-060	KTB2-100	KTB2-200	KTB2-300	KTB3-015
Terminal Bolt	M3.0	M3.5	M4.0	M6.0	M6.0	M10.0	M12.0	M3.5	
W(mm)	6.6	6.8	8.7	9.6	12.4	16.5	24.5	29.0	6.8
L(mm)	20.0	20.0	27.0	27.0	30.0	45.5	55.5	20.0	
l (mm)	8.0	8.0	14.0	14.5	20.5	20.5	25.5	8.0	
d	Ø3.1	Ø3.6	Ø4.1	Ø6.1	Ø6.1	Ø10.1	Ø12.1	Ø3.6	

Cabling Accessory & Sola System












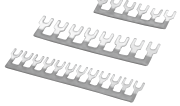
Modular Terminal Block

KTB2, KTB3 Series

Product Selection

	Rated Current	Terminal Bolt	Part Number		Rated Current	Terminal Bolt	Part Number
	10A	M3.0	KTB2-010		60A	M6.0	KTB2-060
	15A	M3.5	KTB2-015		100A	M6.0	KTB2-100
	25A	M4.0	KTB2-025		200A	M10.0	KTB2-200
	35A	M4.0	KTB2-035		300A	M12.0	KTB2-300
					15A	M3.5	KTB3-015

Accessory

	Channel		Separator
KTB2-CHA KTB2-CHA-2M  15 mm	KTB2-CHB KTB2-CHB-2M  35mm	KTB2-CHC KTB2-CHC-2M  35mm (Cutting type)	KTB2-A10 - A300 
Separator KTB3-A15 	KTB2-STA  15mm	Stopper KTB2-STB  35mm	KTB2-STC  35mm (Plastic)
Cover KTB2-CVA (Max. 10A) 	KTB2-CVB (15 - 35A) KTB2-CVC (60 - 100A) KTB2-CVD (200A) 	Name Plate KTB2-PA (10A) KTB2-PB (Min. 15A) 	Short Bar KTB2 - S1512 □ KTB2 - S2506 □ KTB2 - S3508 □ 

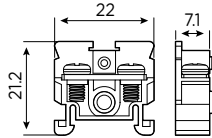
ESP Color : R(red), Y(yellow), K(black),B(blue)

Dimension

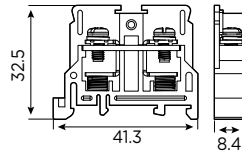
unit : mm

KTB2 Series

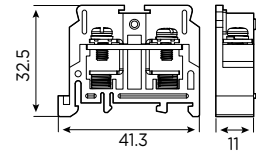
KTB2-010



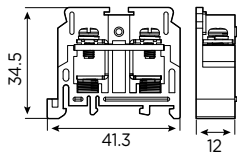
KTB2-015



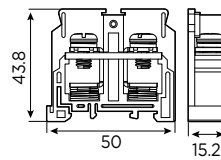
KTB2-025



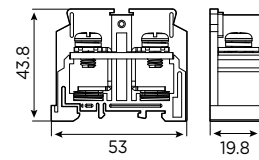
KTB2-035



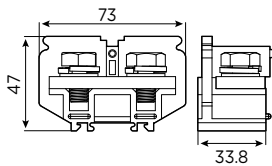
KTB2-060



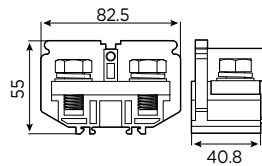
KTB2-100



KTB2-200

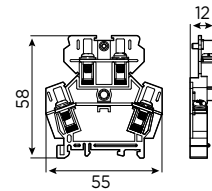


KTB2-300



KTB3 Series

KTB3-015(Two Level)



Option application notification

	KTB2-010	KTB2-015	KTB2-025	KTB2-035	KTB2-060	KTB2-100	KTB2-200	KTB2-300	KTB3-015
Channel	KTB2-CHA	KTB2-CHB, KTB2-CHC							KTB2-CHB KTB2-CHC
Separator	KTB2-A10	KTB2-A15, A25		KTB2-A35	KTB2-A60	KTB2-A100	KTB2-A200	KTB2-A300	KTB3-A15
Stopper	KTB2-STA	KTB2-STB, KTB2-STC					KTB2-STB		KTB2-STB
Cover	KTB2-CVA	KTB2-CVB			KTB2-CVC		KTB2-CVD (Optional)		KTB2-CVB
Name Plate	KTB2-PA	KTB2-PB							KTB2-PB
Short Bar		KTB2-S1512	KTB2-S2506	KTB2-S3508					